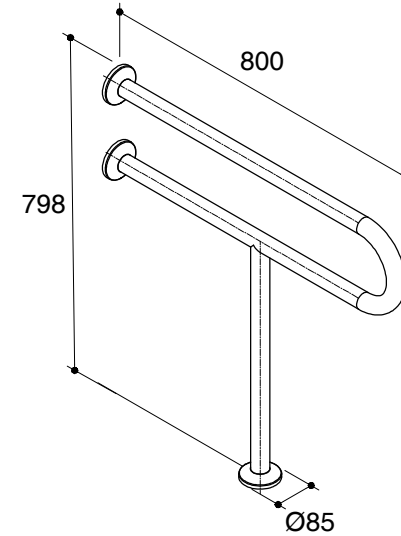
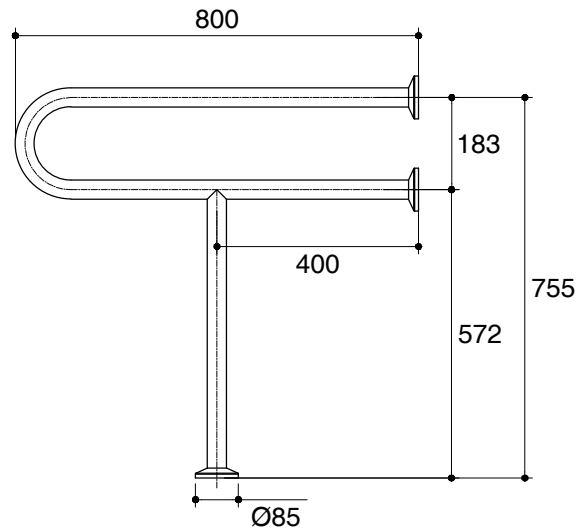
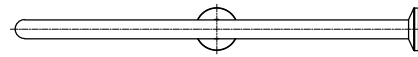
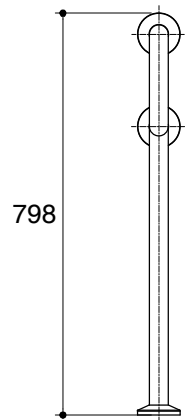


Dimensions are approximate.
Unit: mm



SKU	K-20920X
Name	-
Description	GRAB BAR P-SHAPE
ENGLEFIELD	

* The recommended dimension for installation can be adjusted according to user preferences and layout.